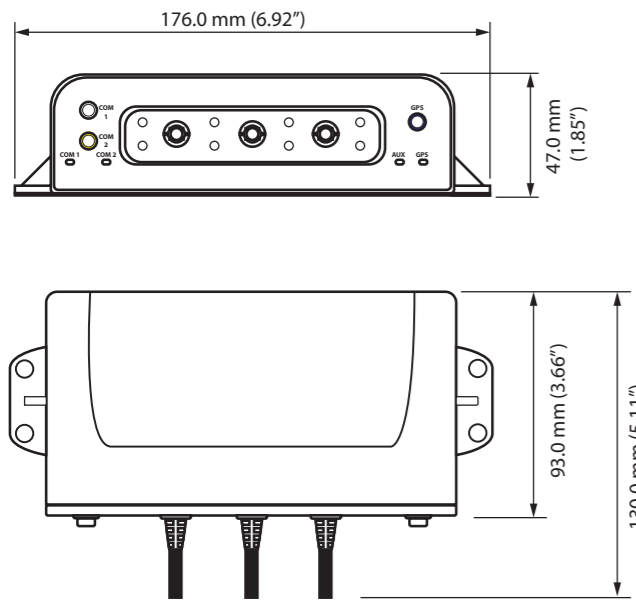
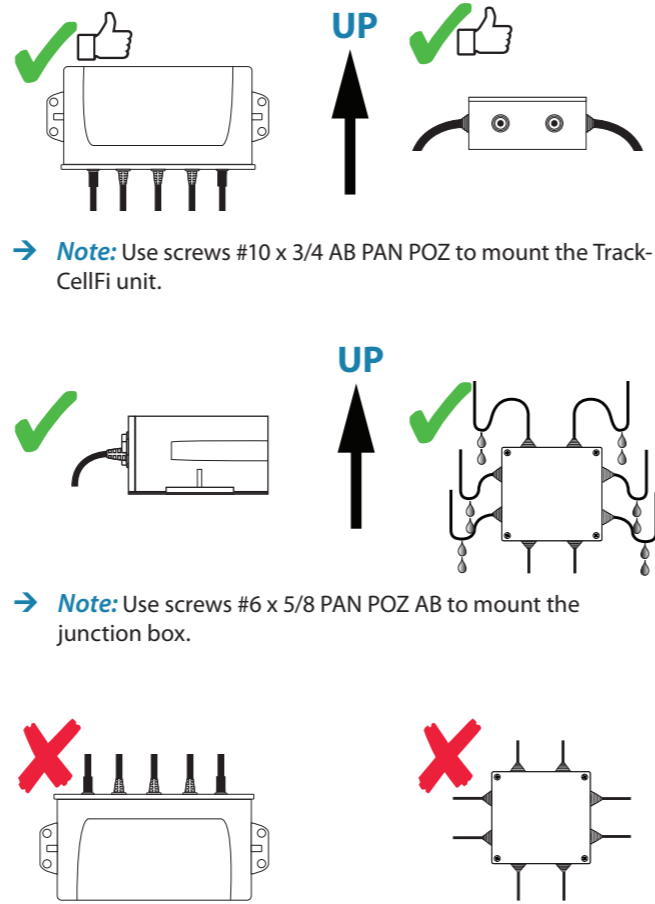


Dimensions



Mounting



To configure the device and for technical specifications and declarations, refer to the product website on:

<https://vessel.gofreemarine.com>

For all other information visit:

SIMRAD **LOWRANCE** **B&G**

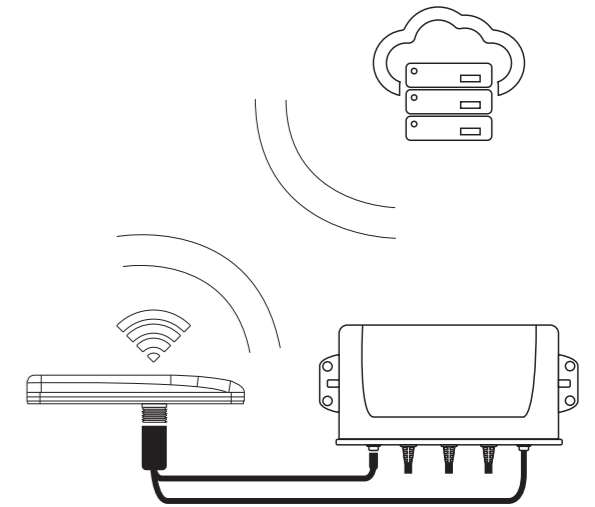


To aid in installation download the Track mobile app for Android and iOS devices.



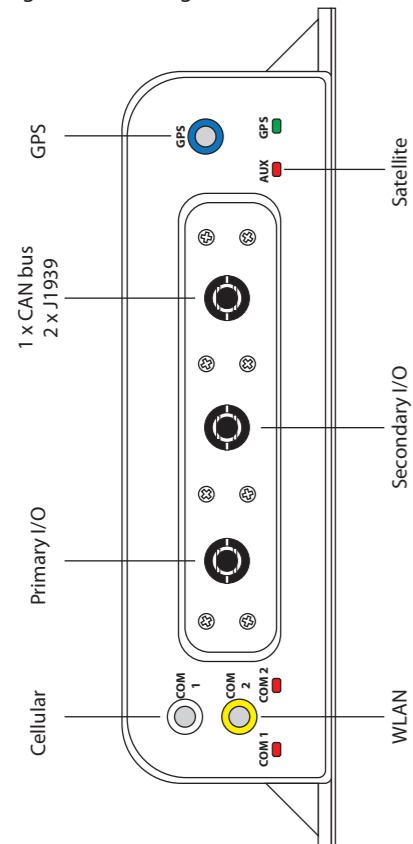
TRACK™

Track Installation Guide

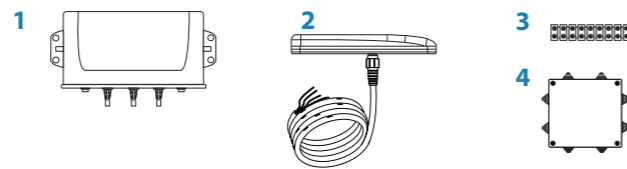


Connectors

Rapid flashing (3 Hz) - signal OK
Slow flashing (0.5 Hz) - no signal



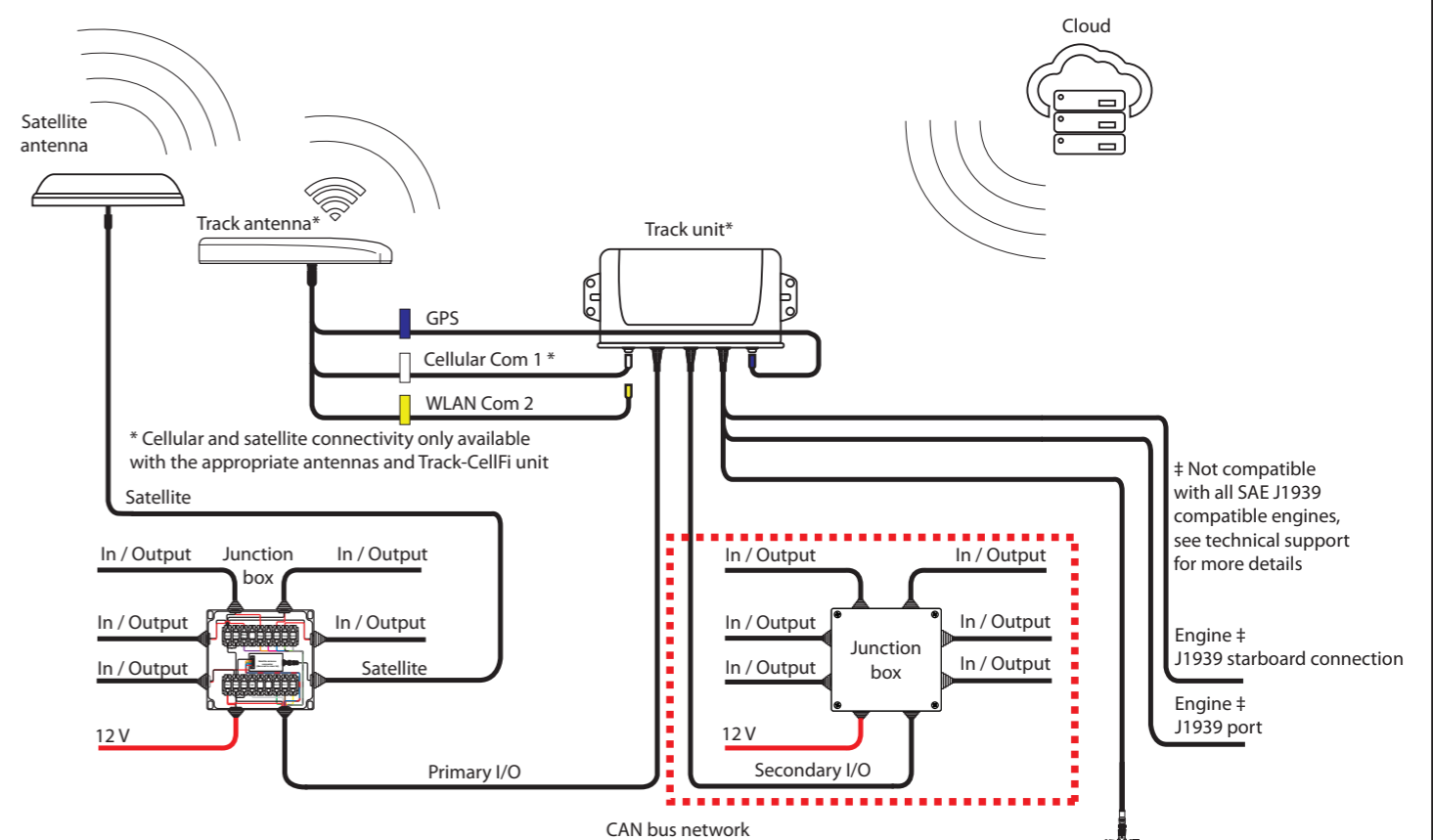
Parts included



Qty	Description
GoFree Track-CellFi Pack	
1	1 Track-CellFi Unit
2	1 Track CELL/GPS/WLAN Antenna & 5m cable
3	2 9 pin terminal strip
4	1 Track junction box
1	1 Track, Misc. hardware kit, including screws, fuse and fuse holder

Qty	Description
GoFree Track-WiFi Pack	
1	1 Track-WiFi Unit
2	1 Track GPS/WLAN Antenna & 5m cable
3	2 9 pin terminal strip
4	1 Track junction box
1	1 Track, Misc. hardware kit, including screws, fuse and fuse holder

Wiring example



→ **Note:** The satellite antenna kit, the second junction box shown and the CAN bus T connectors are to be ordered separately.

Connector wiring

Primary I/O *				
Pin	Color	Wire label	Notes	Limit
1	Red	Boat PWR	Boat power	12-32 V
2	Black	GND	Boat ground	0 V
3	Black	GND	Boat ground	0 V
4	Black	GND	Boat ground	0 V
5	Black	GND	Boat ground	0 V
6	Black	GND	Boat ground	0 V
7	White	IGN	Input 0 - Ignition (12-32 V=Engine running, 0 V/not connected=Engine not running)	0 V/12-32 V
8	Pink	ADC 1	Input (0 V/not connected=On, 12-32 V=Off, Monitors output 0)	0-32 V
9	Yellow/Orange	AUX2_VCC	Future use	0-32 V
10	Yellow/Green	AUX2_RX	Future use	0-32 V
11	Yellow/Blue	AUX2_TX	Future use	0-32 V
12	Blue	HATCH	Input 1 - Entry (0 V/not connected=Hatch closed, 12-32 V=Hatch open=Alarm state)	0 V/12-32 V
13	Orange	H2O_LVL	Input 2 - Bilge water level (0 V/not connected=Low H2O lvl, 12-32 V=High H2O lvl=Alarm state)	0 V/12-32 V
14	Violet	SHORE_PWR	Input 3 - Shore power (12-32 V=power connected, 0 V/not connected=Power discon=Alarm state)	0 V/12-32 V
15	Grey	SPARE	Input 4 - Spare input (0 V/not connected=On, 12-32 V=Off, selectable alarm state in configuration)	0 V/12-32 V
16	Green/Black	TMP	Air temperature positive	4 V
17	Yellow/Black	TMP GND	Air temperature ground	4 V
18	Green	OUT 0	Output 0 - Monitored by ADC 1, Active=0 V/GND	200 mA
19	Brown	OUT 1	Output 1 - Monitored by ADC 2, Active=0 V/GND	200 mA
20	Yellow	OUT 2	Output 2 - Monitored by ADC 3, Active=0 V/GND	200 mA

Secondary I/O *				
Pin	Color	Signal	Notes	Limit
1	Black	Ground	Ground	0 V
2	Yellow/Red	Vin FLT	Not used	12-32 V
3	Green/White	Input 5	Future use	12-32 V
4	Blue/White	Input 6	Future use	12-32 V
5	Black/White	Input 7	Future use	12-32 V
6	Black/Orange	1BB R data	Future use	4 V
7	Blue/Orange	OUT 3	Monitored by ADC 4, Active=0V/GND	200 mA
8	White/Yellow	OUT 4	Monitored by ADC 5, Active=0V/GND	200 mA
9	Red/Green	LED Out 1	Future use	4 V
10	Orange/Green	LED Out 2	Future use	4 V
11	Black/Red	ADC 2	Input (0 V/not connected=On,12-32 V=Off, Monitors output 1)	0-32 V
12	White/Red	ADC 3	Input (0 V/not connected=On,12-32 V=Off, Monitors output 2)	0-32 V
13	Orange/Red	ADC 4	Input (0 V/not connected=On,12-32 V=Off, Monitors output 3)	0-32 V
14	Blue/Red	ADC 5	Input (0 V/not connected=On,12-32 V=Off, Monitors output 4)	0-32 V
15	Black	GND		0 V
16	Black	GND		0 V

* Some connections may not be supported.

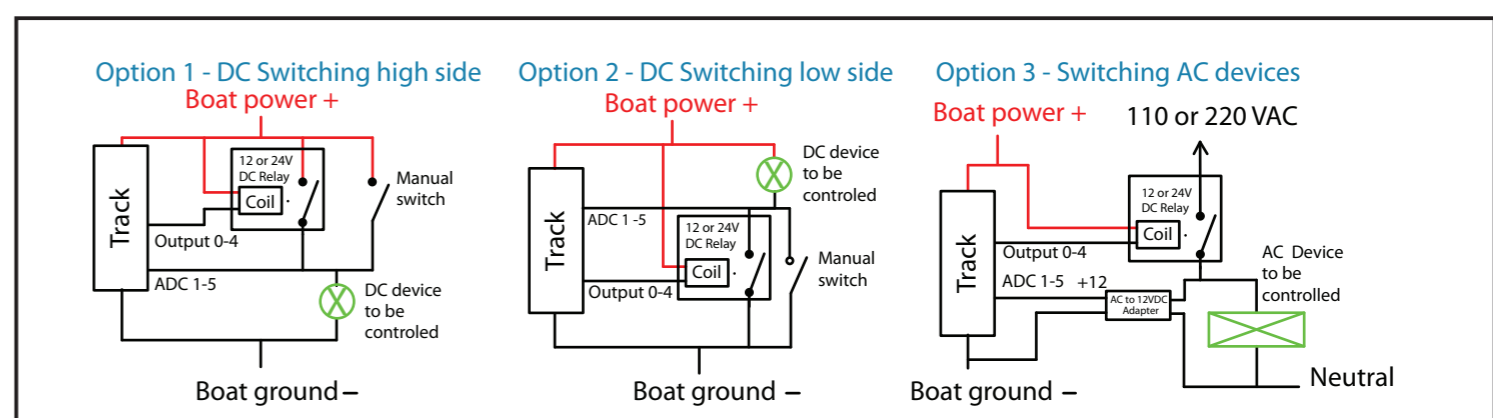
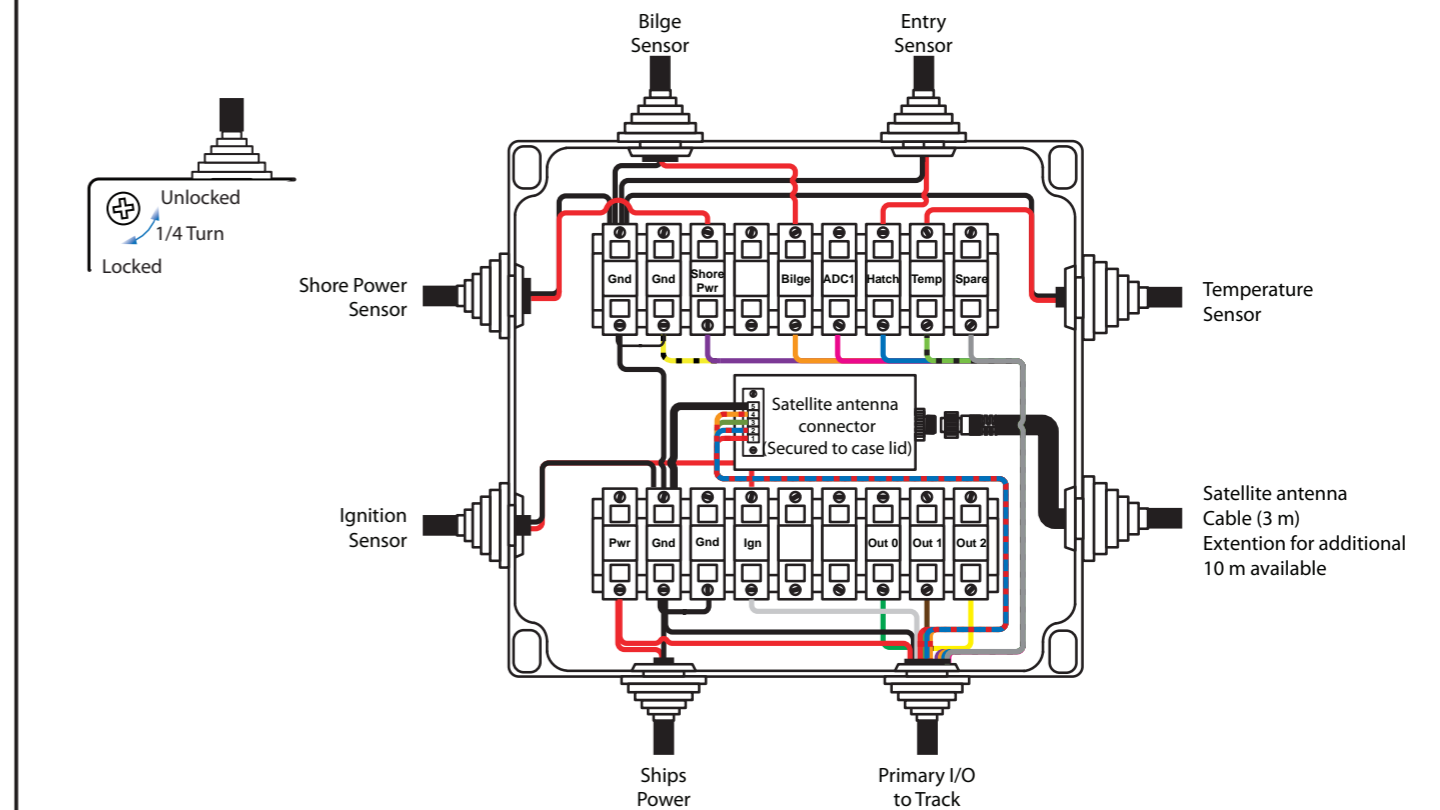
Output circuits and corresponding ADC inputs				
Output	Connector		ADC	Connector
0	Primary	↔	1	Primary
1	Primary	↔	2	Secondary
2	Primary	↔	3	Secondary
3	Secondary	↔	4	Secondary
4	Secondary	↔	5	Secondary

Warning: Outputs are not short circuit protected! Max load 200 mA.

→ **Note:** Each of the outputs can be used to drive 12 - 24 volt relays max 200 mA.

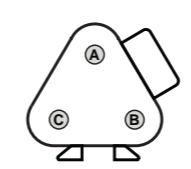
→ **Note:** Each of the ADC inputs can be used to monitor the associated outputs. See matrix above.

Junction box - Recommended wiring

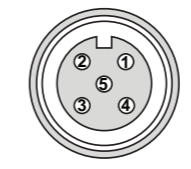


J1939 CAN bus / CAN bus connector		
Pin	Color	Signal description
4	Yellow	CAN bus High
5	Green	CAN bus Low
3	Black/Yellow	CAN bus Ground
A	Grey	Port J1939 CAN 1 Low
B	Blue	Port J1939 CAN 1 High
C	Black/Grey	Port J1939 CAN 1 Ground
A	Red	Stbd J1939 CAN 2 Low
B	Brown	Stbd J1939 CAN 2 High
C	Black/Red	Stbd J1939 CAN 2 Ground

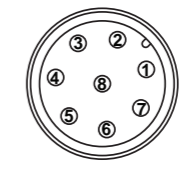
Satellite antenna cable			
Pin	Color	In / Out	Name
1	White	-	-
2	Brown	-	Ground
3	Green	In	RS232 RX
4	Yellow	Out	RS232 TX
5	Pink	In	12 V DC
6	Grey	-	-
7	Blue	-	-
8	Red	-	-



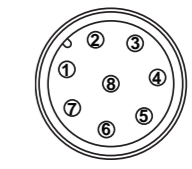
J1939 DT04-3P Diesel engine connector



CAN bus Male connector



Satellite antenna Male connector*



Satellite antenna Female connector*